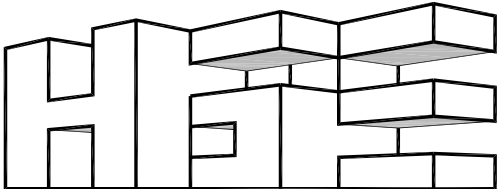


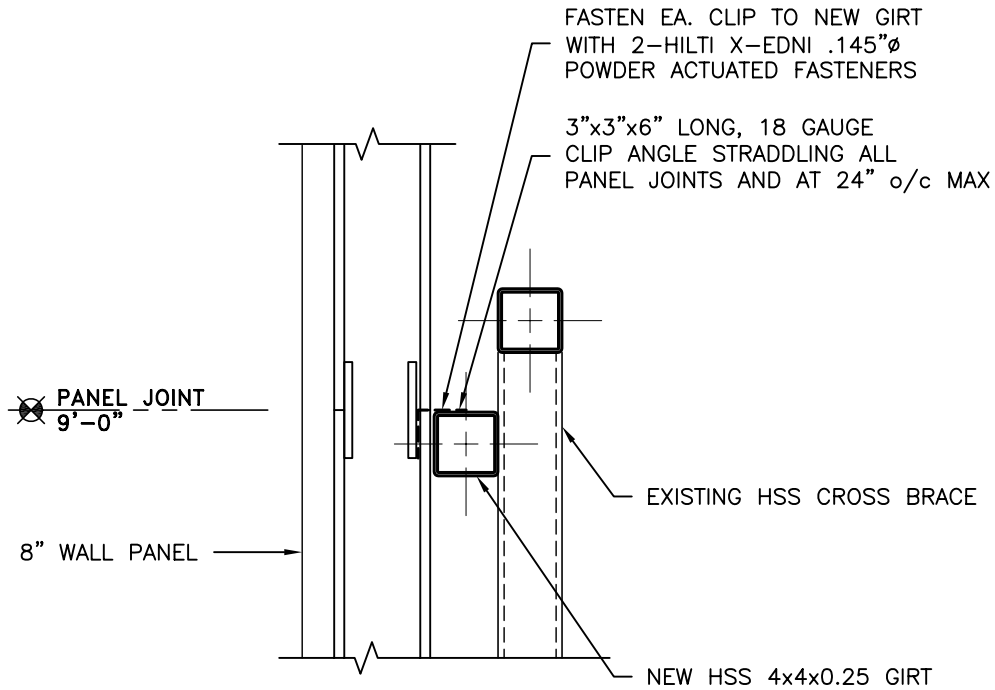
**A** **GIRT CONNECTION**  
**SCALE: 1" = 1'-0"**



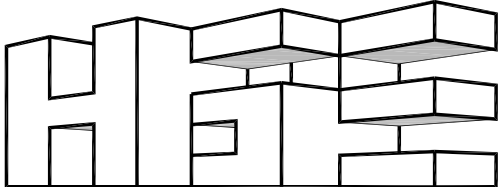
**HENINGER**

STRUCTURAL ENGINEERING  
 94 Cougarstone Circle S.W., Calgary, Alberta T3H 4W7  
 (403) 503-1212 (403) 532-1973 heningerengineering@shaw.ca

Project		SPRINGBANK	
		Calgary, Alberta	
Client		PFK DEVELOPMENTS	
Drawing Name		GIRT CONNECTION SKETCH	
Designed By:	JRH	Scale:	1" = 1'-0"
Drawn By:	CJR	Job Number:	5118A
Checked By:	JRH	Date:	OCT.31/06
			Dwg. No. <b>A</b>
			rev. no.

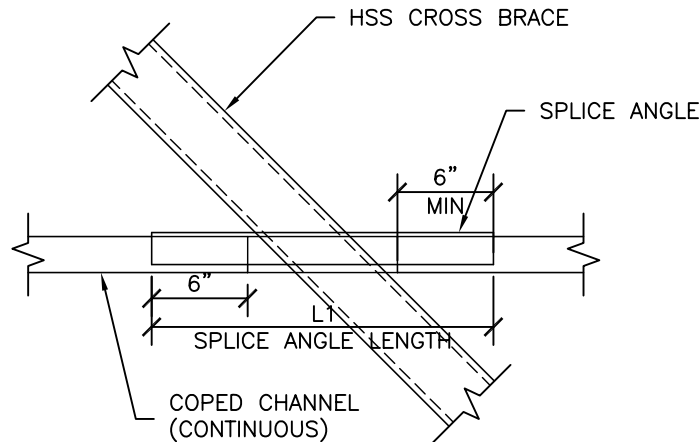


**B** **GIRT CONNECTION**  
 SCALE: 1" = 1'-0"

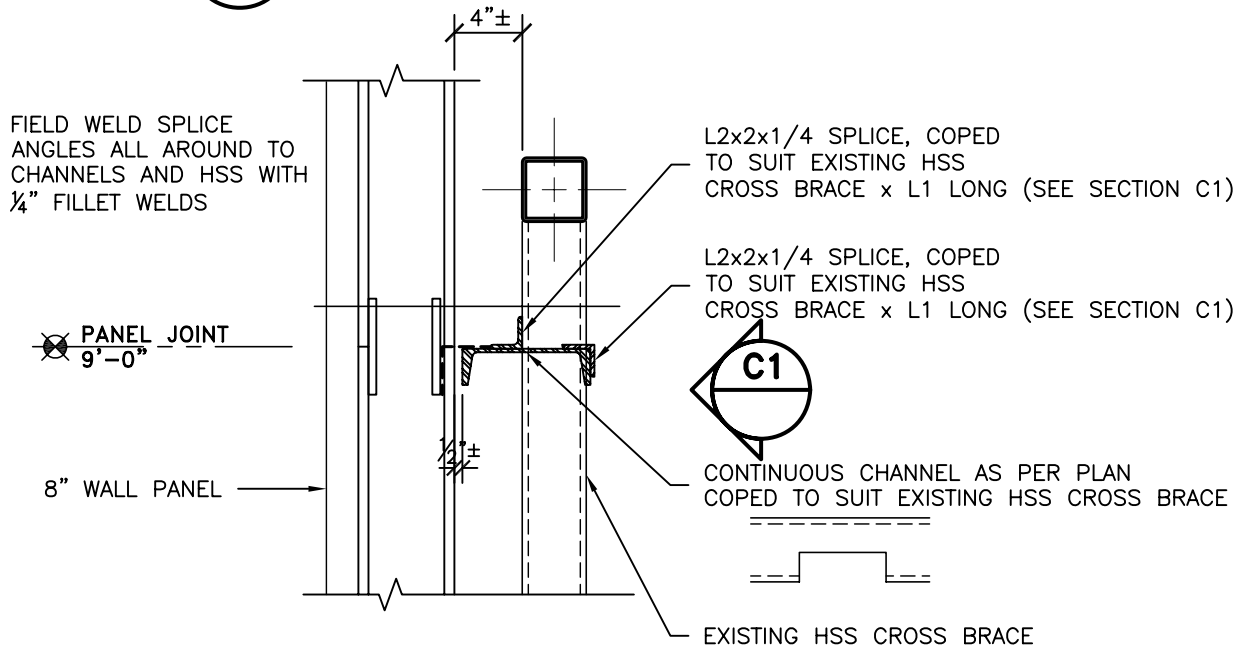


**HENINGER**  
 STRUCTURAL ENGINEERING  
 94 Cougarstone Circle S.W., Calgary, Alberta T3H 4W7  
 (403) 503-1212 (403) 532-1973 heningerengineering@shaw.ca

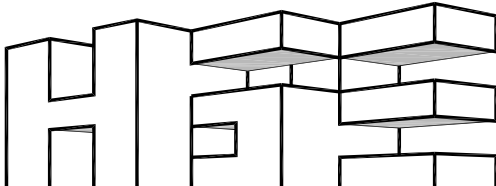
Project		SPRINGBANK	
		Calgary, Alberta	
Client		PFK DEVELOPMENTS	
Drawing Name		GIRT CONNECTION SKETCH	
Designed By:	JRH	Scale:	1" = 1'-0"
Drawn By:	CJR	Job Number:	5118A
Checked By:	JRH	Date:	OCT.31/06
			Dwg. No. <b>B</b>
			rev. no.



**C1 GIRT CONNECTION**  
 SCALE: 1" = 1'-0"



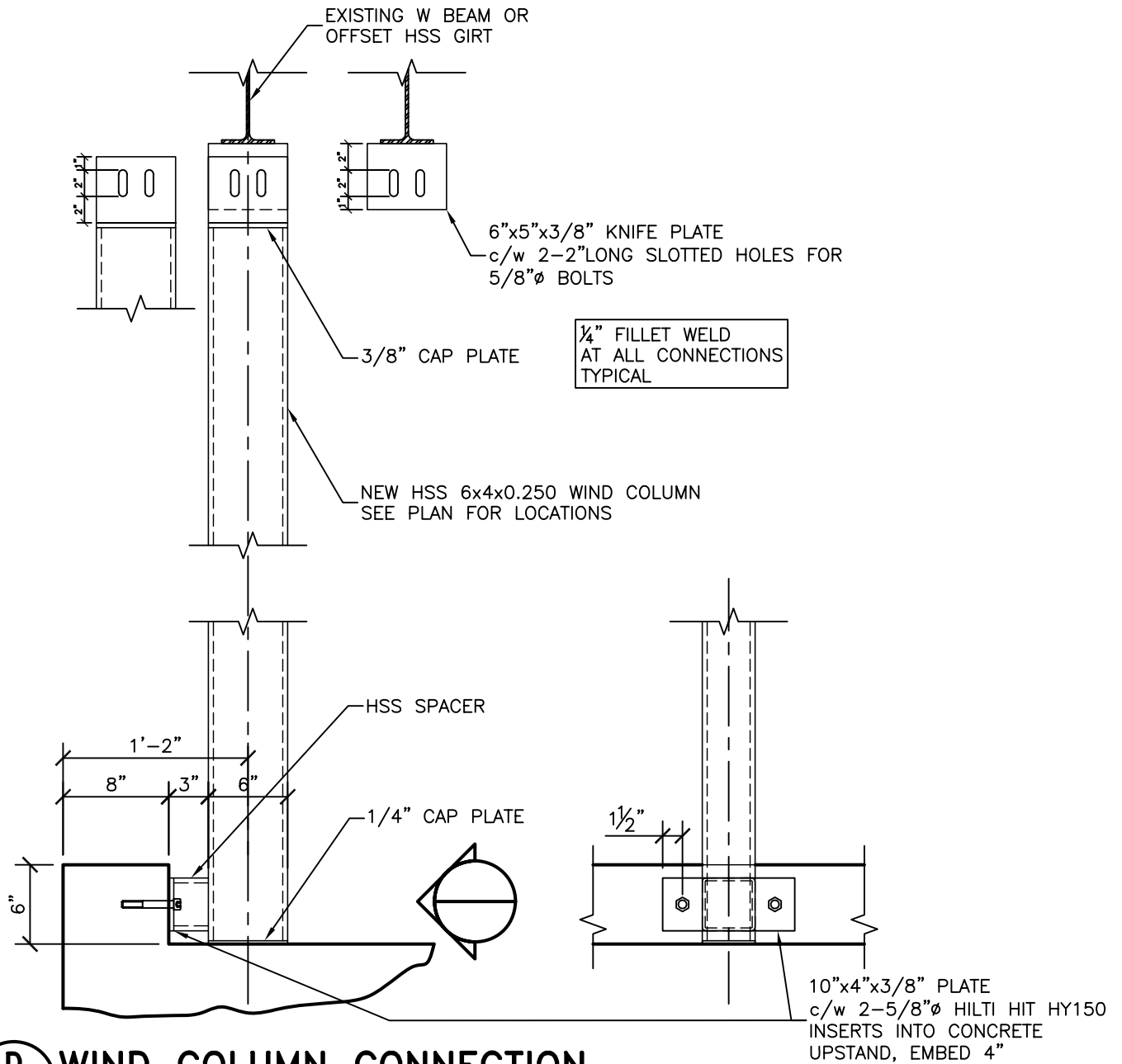
**C GIRT CONNECTION**  
 SCALE: 1" = 1'-0"



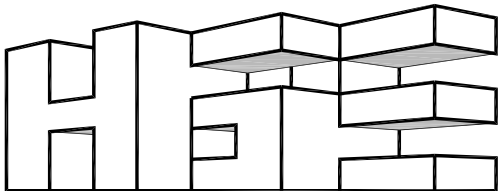
**HENINGER**

STRUCTURAL ENGINEERING  
 94 Cougarstone Circle S.W., Calgary, Alberta T3H 4W7  
 (403) 503-1212 (403) 532-1973 heningerengineering@shaw.ca

Project		SPRINGBANK	
		Calgary, Alberta	
Client		PFK DEVELOPMENTS	
Drawing Name		GIRT CONNECTION SKETCH	
Designed By:	JRH	Scale:	1" = 1'-0"
Drawn By:	CJR	Job Number:	5118A
Checked By:	JRH	Date:	OCT.31/06
			Dwg. No.
			<b>C</b>
			rev. no.

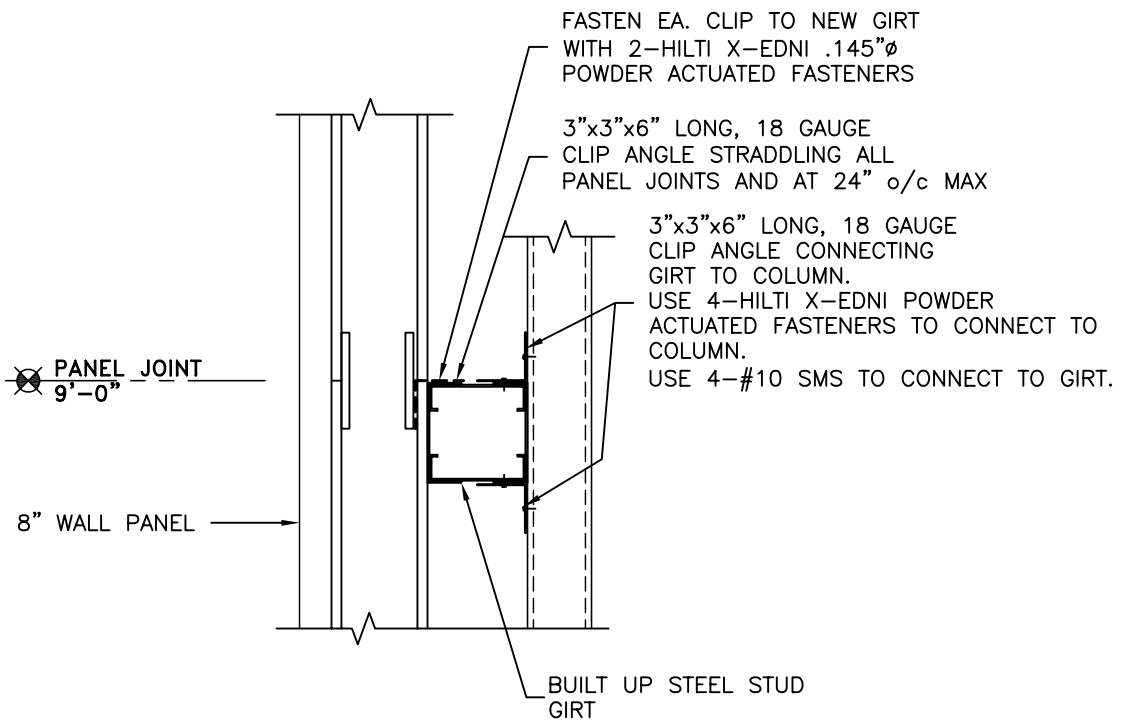


**D WIND COLUMN CONNECTION**  
SCALE: 1" = 1'-0"

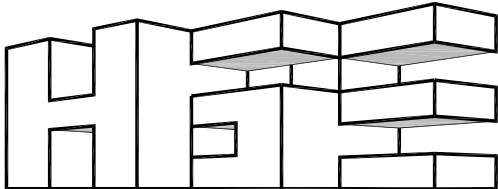


**HENINGER**  
STRUCTURAL ENGINEERING  
94 Cougarstone Circle S.W., Calgary, Alberta T3H 4W7  
(403) 503-1212 (403) 532-1973 heningereengineering@shaw.ca

Project		SPRINGBANK	
		Calgary, Alberta	
Client		PFK DEVELOPMENTS	
Drawing Name		WIND COLUMN CONNECTION	
Designed By:	JRH	Scale:	1" = 1'-0"
Drawn By:	CJR	Job Number:	5118A
Checked By:	JRH	Date:	OCT.31/06
Dwg. No.			<b>D</b>
			rev. no.



**E** **GIRT CONNECTION**  
 SCALE: 1" = 1'-0"



**HENINGER**  
 STRUCTURAL ENGINEERING  
 94 Cougarstone Circle S.W., Calgary, Alberta T3H 4W7  
 (403) 503-1212 (403) 532-1973 heningerengineering@shaw.ca

Project	SPRINGBANK		
	Calgary, Alberta		
Client	PFK DEVELOPMENTS		
Drawing Name	GIRT CONNECTION SKETCH		
Designed By:	JRH	Scale:	1" = 1'-0"
Drawn By:	CJR	Job Number:	5118A
Checked By:	JRH	Date:	OCT.31/06
		Dwg. No.	<b>E</b>
			rev. no.